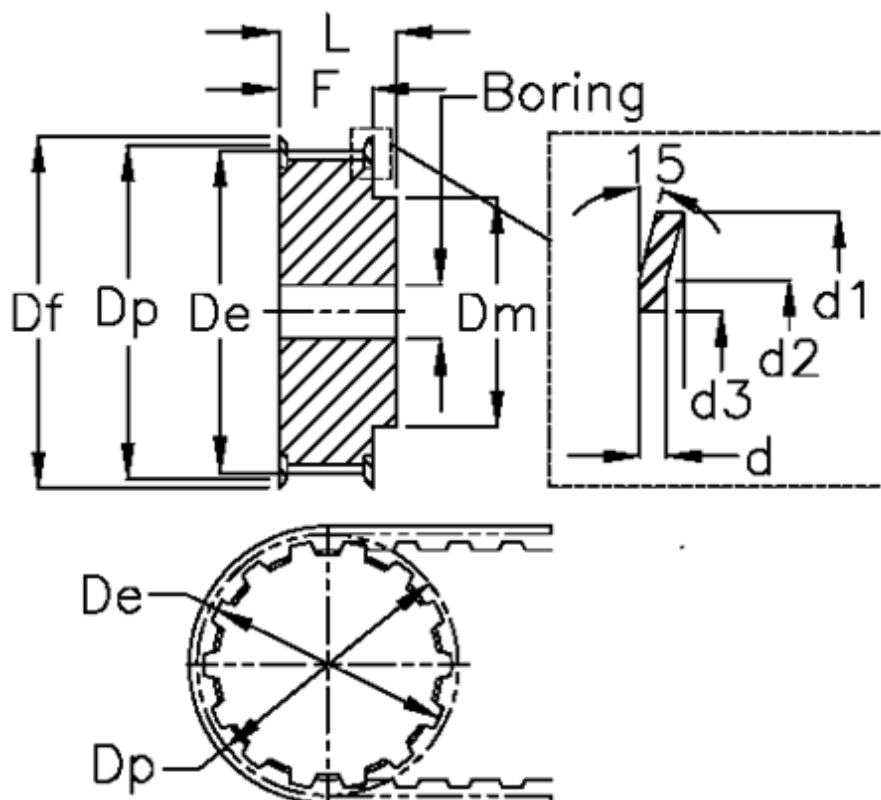


Article number: 60415431027

Description: Timing Belt Pulley 31 AT10 27/2

Measures



Belt width = - 16 mm	D_p	= 86.1
d = 1	F	= 21
d_1 = 91	Flange type	= F31
d_2 = 85.5	L	= 31
d_3 = 76	Pre-drilled	= 8
D_e = 84.1	Tooth number	= 27
D_f = 91	Type	= AT10
D_m = 60	Weight	= 0.364